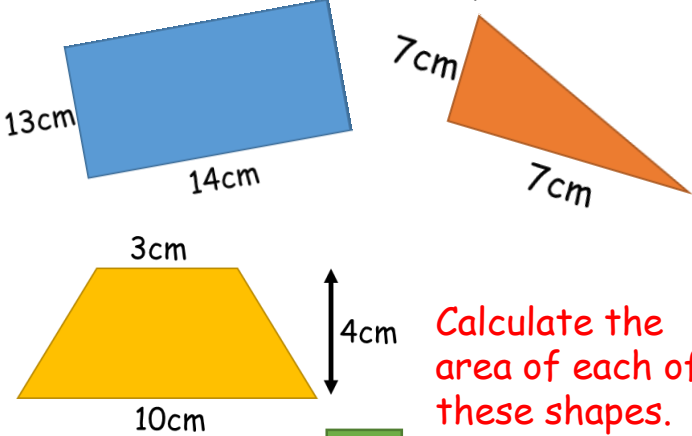


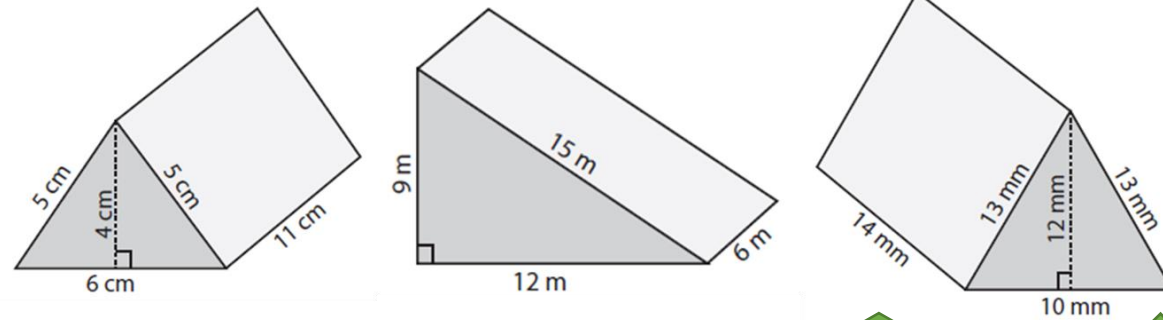
Tools for today!



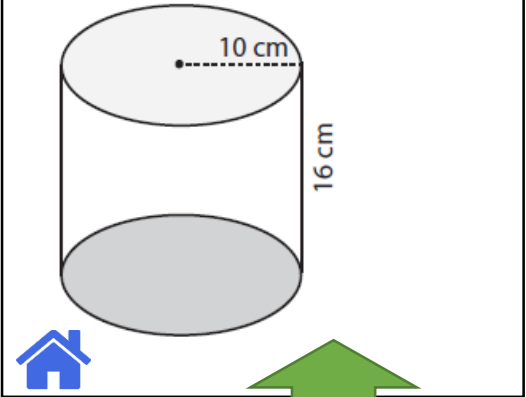
Calculate the area of each of these shapes.

Surface Area

Calculate the surface area of each of these cuboids.

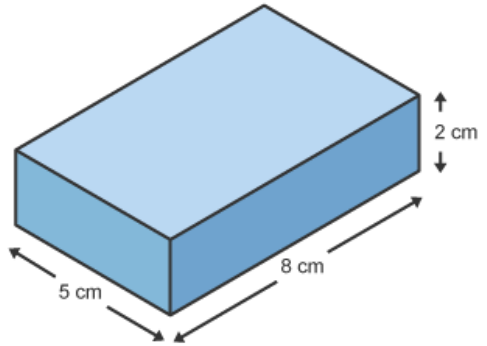
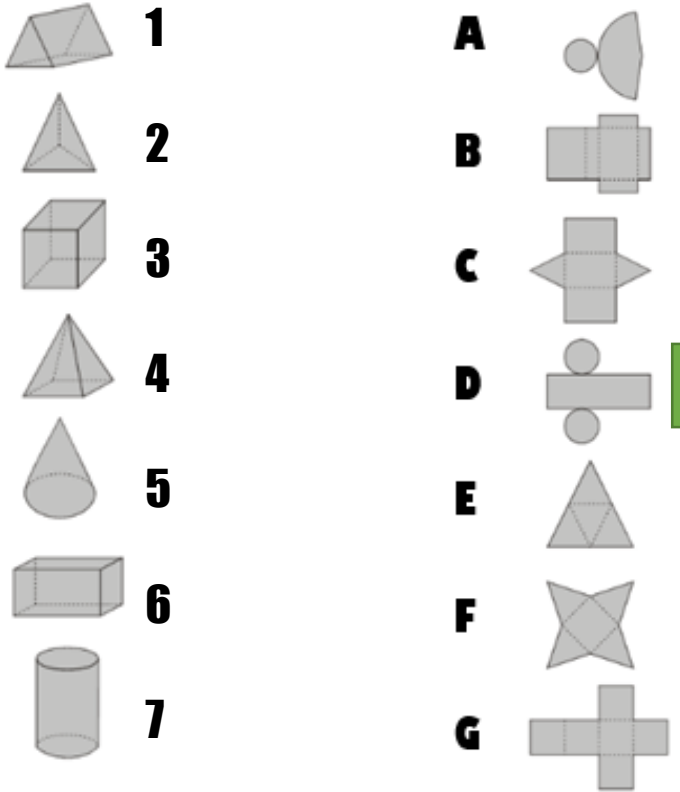


Achieve through application



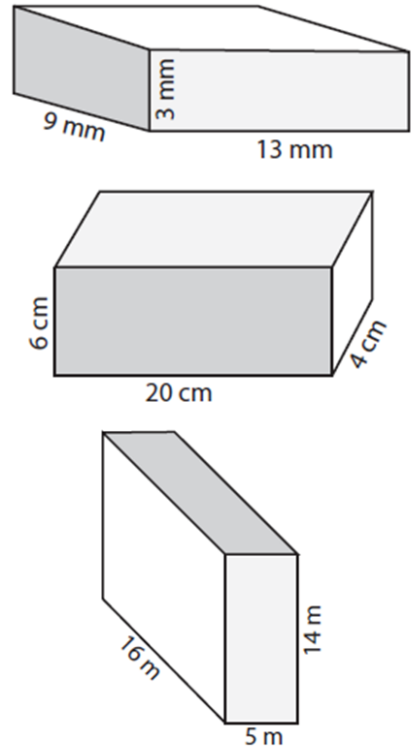
Calculate the surface area of each of these cuboids.

Match up the solids with their nets.



Above is a picture of a cuboid.
 Can you draw an accurate net of this shape?
 What is the area of each of the rectangles in your net?
 What is the total surface area of this cuboid?

Calculate the surface area of each of these cuboids.



Scarimaths
 @scarimaths
 www.scarimaths.weebly.com
 scarimaths

